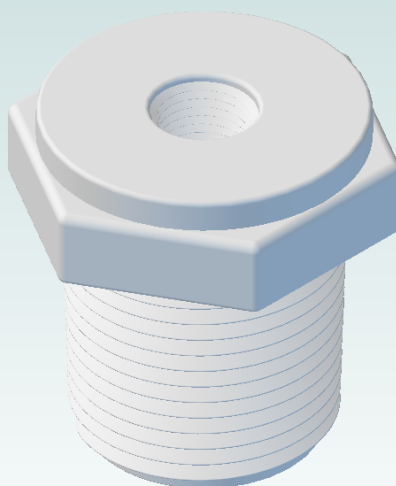




70853 - REDUCER BUSHING 3/4" X 1/8" NPT - SCHEDULE 80



MATERIAL - POLYPROPYLENE